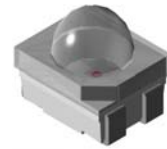


3528 Dome Package SMD LED

VR 7938

Description

The constructive of this series of LED are different from the PCB type SMD LED. The lead-frame is of metal, reflector is made of thermoplastic and construct into this unique type of SMD LED. The wavelengths and luminous Intensities of this series are grouped under 50mA for uniformity. The dice used in this series is InGaN technology are low power consumption and obtaining high luminous intensity.




Applications

- Dashboards and switch
- Backlight keypads
- Industrial control systems signal indicator
- Automotive features
- Industrial panel



Electronic Optical Characteristics (at 50mA):

Part Number	Emitted Color	λ (nm)		Lens Color	Iv(mcd)		View Angle (2 θ 1/2)	VF(V)	
		λ_d	λ_p		Min.	Typ.		Min.	Max.
VR 7938	Orange 	615	618	Clear	5600	11000	30	2.1	2.7

Absolute Maximum Ratings (at Ta=25°C)

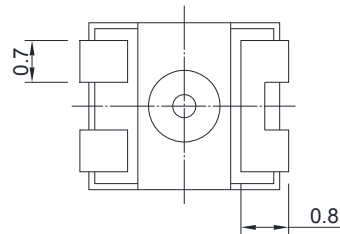
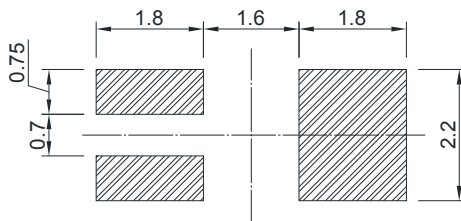
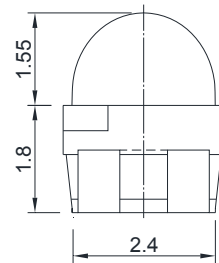
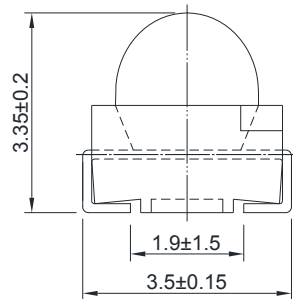
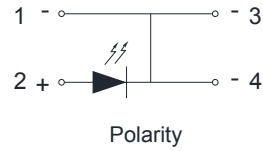
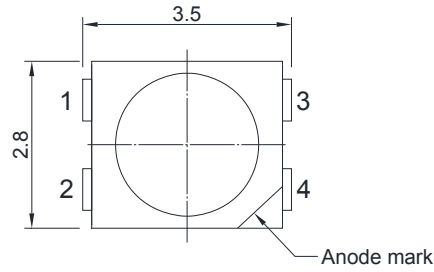
P _D (mW)	I _{FP} (mA)	I _F (mA)	Iron Solder(°C)	I _R (uA)@V _R =12V	Topr(°C)	Tstg(°C)
182	100*	70	350 ± 5 for 3 sec.	10	-40~+85	-40~+100

Note: Please take note the Absolute Maximum Rating values. Any operation beyond the specify ratings in this table will result degradation of LED life-span and may cause LED to fail.

* I_{FP}: Peak Forward Current under 1/10 duty, 1KHz condition

Package Dimension:

unit:mm

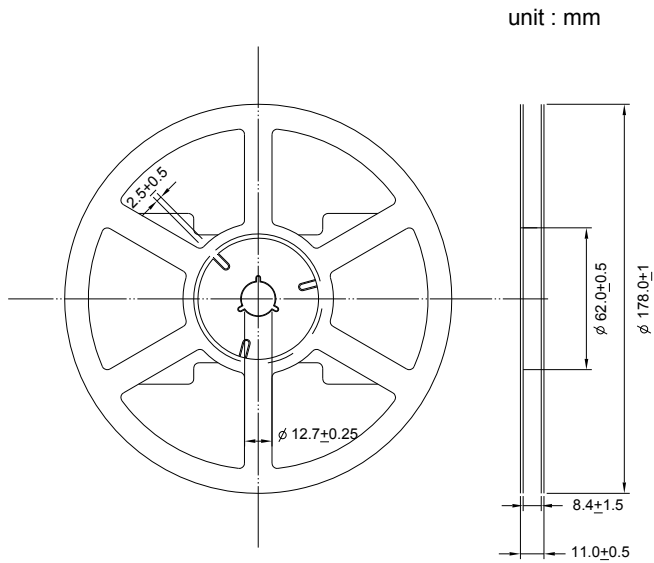


Recommended Soldering Pad

Notes:

1. All dimensions are millimeters.
2. Tolerance is ± 0.2 mm unless otherwise specified.
3. Specifications are subject to change without notice.

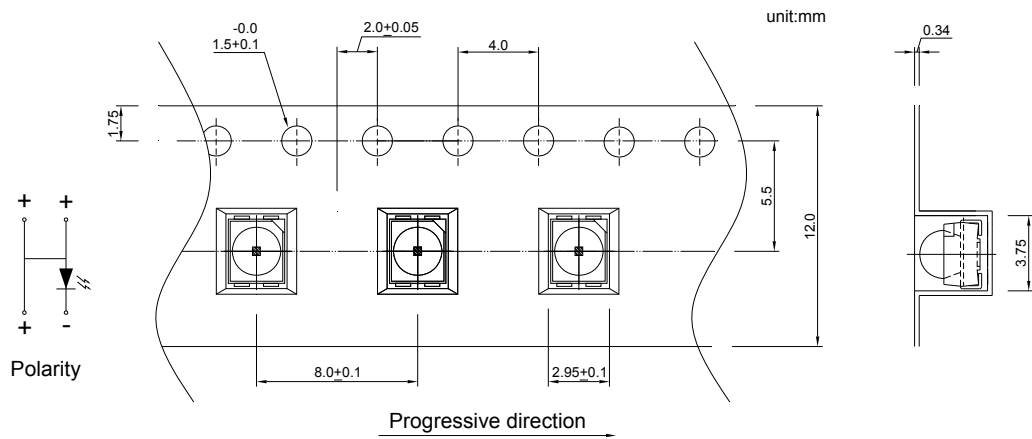
Reel Dimension:



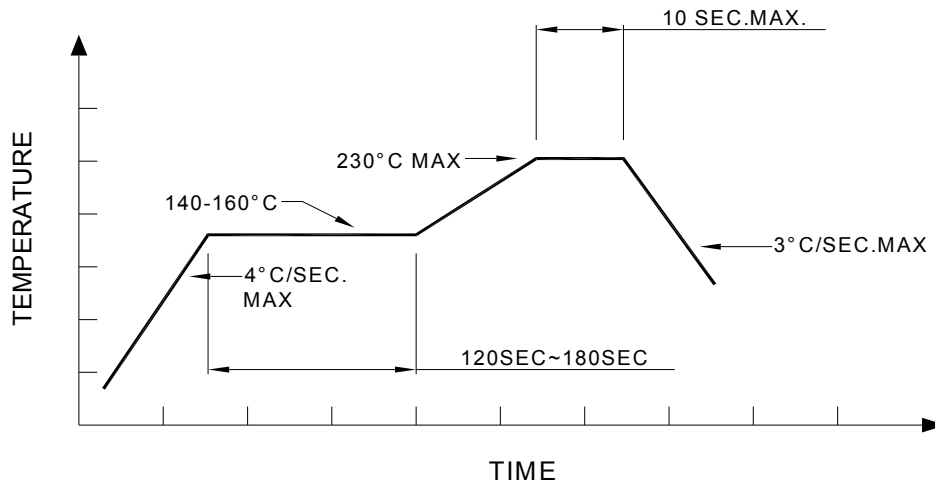
Note:

Available in 8mm carrier tape on 178mm diameter reels. (500 pieces)

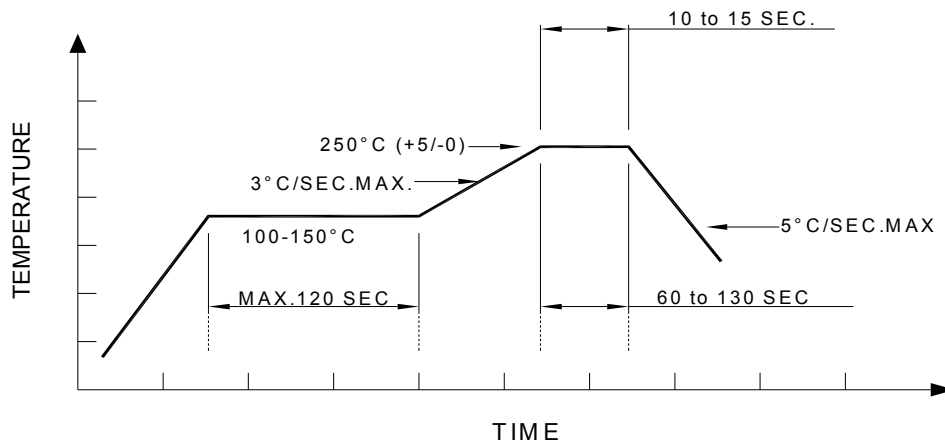
Tape Dimension:



Recommended re-flow soldering profile:



Recommended Pb-free re-flow soldering profile:



Specification for bin grade @50mA

Iv(mcd)			λ d(nm)		
Code	Min.	Max.	Code	Min.	Max.
DB	5600	7100	KJ-1	612	615
EA	7100	9000	KJ-2	615	618
EB	9000	11200	KJ-3	618	621
FA	11200	14400	KJ-4	621	624
FB	14400	18000	--	--	--